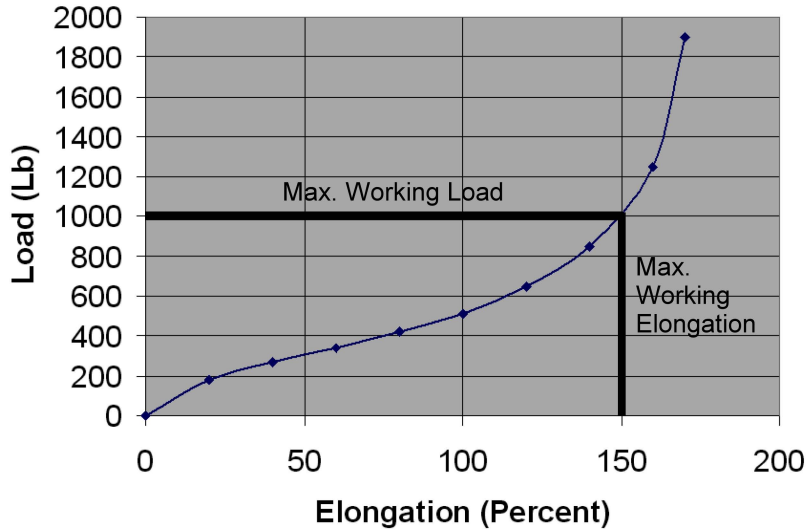
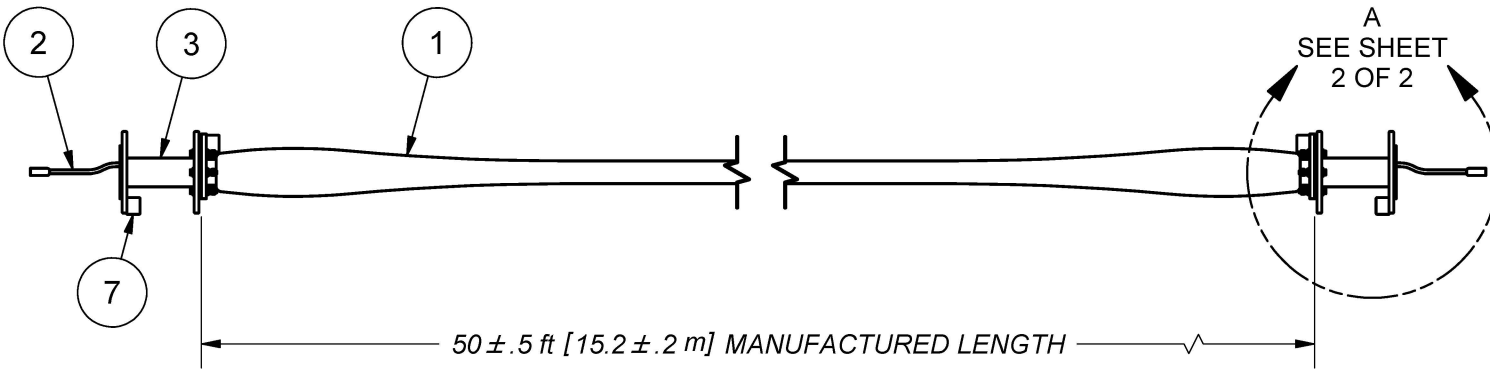
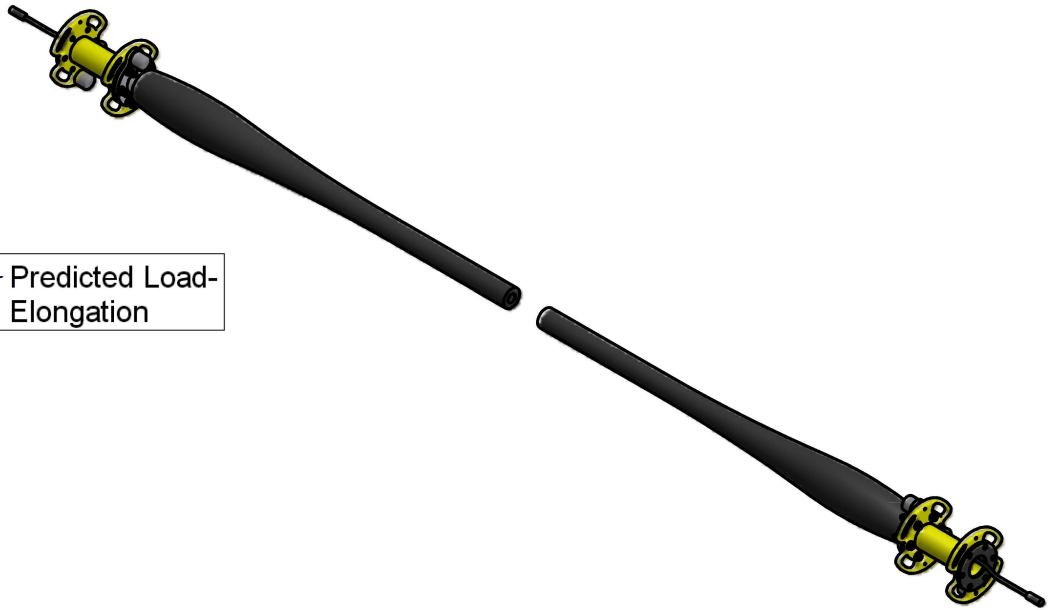


8 7 6 5 4 3 2 1

**Predicted Load-Elongation**



◆ Predicted Load-Elongation



**NOTE:**

USED HOSE UNSTRETCHED LENGTH TYPICALLY 10-15% LONGER THAN ORIGINAL MANUFACTURED LENGTH. THIS IS A NORMAL CONSEQUENCE OF CONSTRUCTION STRETCH AND THE MULLINS EFFECT

**Parts List**

ITEM	QTY	PART NUMBER	DESCRIPTION
1	1	EOM-171-4-1000	BASE HOSE ASSEMBLY
2	2	SUBCONN MCIL8F	8 PIN MICRO SERIES
3	2	EOM-171-4-1200	ADAPTER KIT - STANDARD
7	4	1-4-20_STUD_ANODE	ZINC ANODE (1/4-20 STUD)

UNLESS OTHERWISE NOTED: DIMENSIONS IN INCHES TOLERANCES:		DESIGN	DATE
DECIMAL	ANGULAR	Don Peters	4/19/2010
.xx ± 0.01	± 1 deg	DRAFT	
.xxx ± 0.005		CHECKED	
BREAK ALL SHARP EDGES R0.02 MIN		FINISH	
MATERIAL		SEE APPLICABLE NOTES	

**EOM** 20 JONATHAN BOURNE DRIVE  
**Offshore** POCASSET, MA 02559  
 (508)-563-2100 www.eomoffshore.com

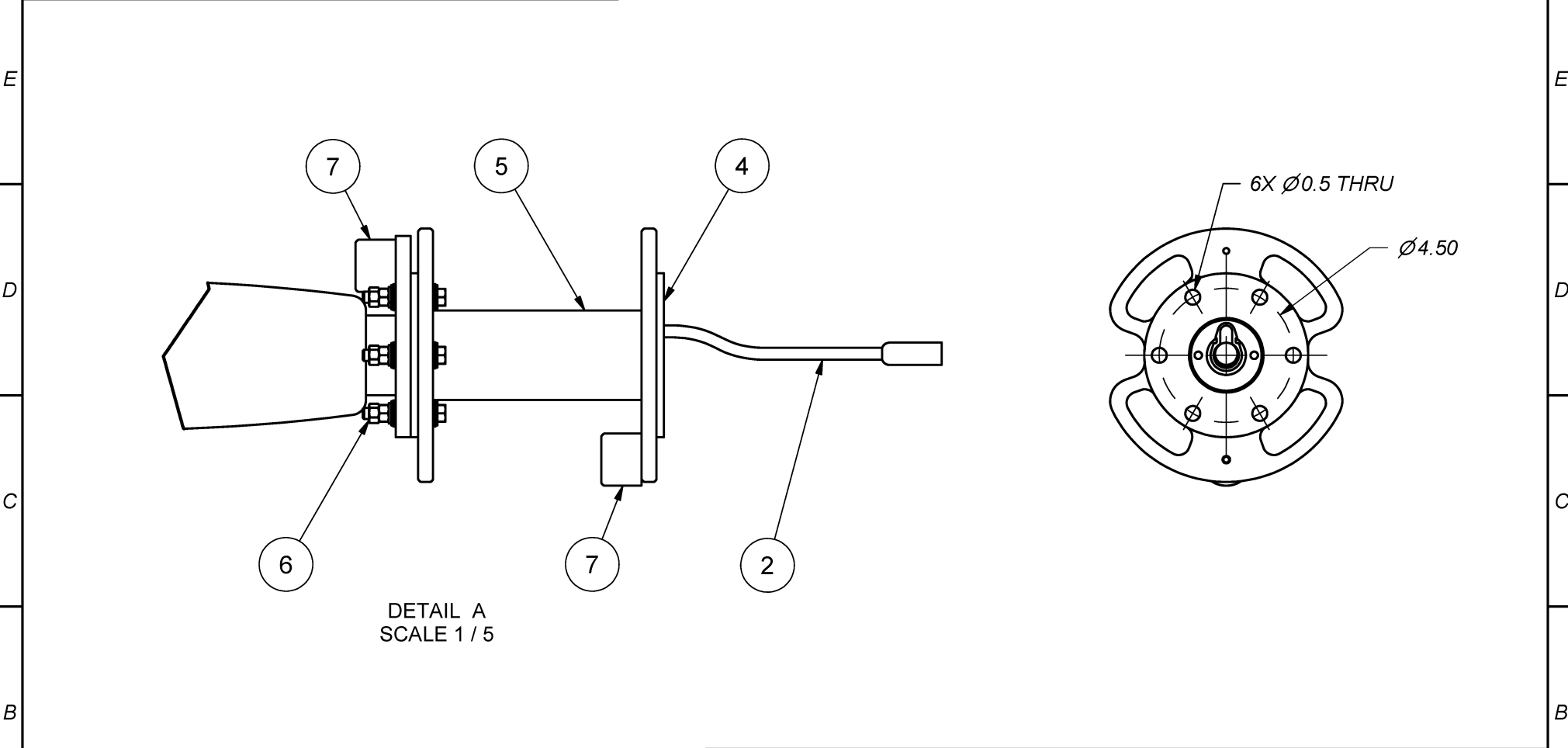
TITLE  
**MOORING STRETCH E/M HOSE  
 ASSEMBLY - 50 FT**

SIZE A	PART NO EOM-171-4-2000	REV
SCALE	SHEET 1 OF 2	

8 7 6 5 4 3 2 1

8 | 7 | 6 | 5 | 4 | 3 | 2 | 1

Parts List			
ITEM	QTY	PART NUMBER	DESCRIPTION
2	2	SUBCONN MCIL8F	8 PIN MICRO SERIES
4	4	EOM-171-4-0203	FLANGE GASKET
5	2	EOM-171-4-0200	STD 6-BOLT ADAPTER
6	12	EOM-171-4-1300	2.5" FLANGE HARDWARE SET
7	4	1-4-20_STUD_ANODE	ZINC ANODE (1/4-20 STUD)



UNLESS OTHERWISE NOTED: DIMENSIONS IN INCHES TOLERANCES:		DESIGN		DATE		<b>EOM</b> 20 JONATHAN BOURNE DRIVE <b>Offshore</b> POCASSET, MA 02559 (508)-563-2100 www.eomoffshore.com	
DECIMAL	ANGULAR	Don Peters	4/19/2010				
.xx ± 0.01	± 1 deg	DRAFT		TITLE		<b>MOORING STRETCH E/M HOSE          ASSEMBLY - 50 FT</b>	
.xxx ± 0.005		CHECKED		SIZE	PART NO		
BREAK ALL SHARP EDGES R0.02 MIN				A	EOM-171-4-2000	2	
MATERIAL				SCALE		SHEET 2 OF 2	
FINISH							
SEE APPLICABLE NOTES							

8 | 7 | 6 | 5 | 4 | 3 | 2 | 1

F  
E  
D  
C  
B  
A

F  
E  
D  
C  
B  
A